



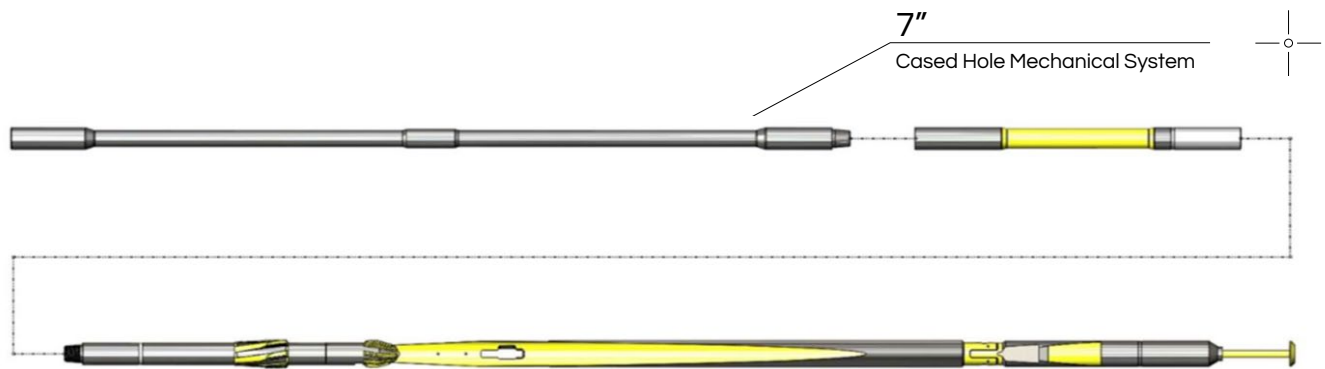
Specification Sheet

7" Cased Hole Mechanical System



Description

The XpressDrill™ cased hole mechanical whipstock delivers a high quality full gauge window in a single trip. A reliable and cost saving- bottom trip anchor can be set on top of float equipment, a bridge plug, cement retainer or a fish left in the hole. A 2.5-degree whipstock face ensures separation from the existing wellbore with minimal dogleg severity. The XpressMill™ milling assembly, dressed to full gauge with a combination of Premium PDC inserts and Tungsten Carbide, is designed to mill all casing grades and formations. Orientation can be achieved through MWD or Surface Read Gyro tools.



Spec

7" Cased Hole Whipstock with Mechanical Anchor Specifications

Whipstock Slide

Length	132"
Face Length	104"
OD	5.6"

Mechanical Anchor - Bottom Trip

Anchor size	7"
Max Tool OD, in (retracted)	5.50"
Length, ft	69.5"

Running Tool

Length	70.00"
Face Length	4.75"
Connection up/down	3-1/2 API IF BOX

XpressMill™ Milling Assembly

Length	72"
OD	6-1/8"
Fishing Neck OD	4.75"
Connection up/down	3-1/2 API IF PIN

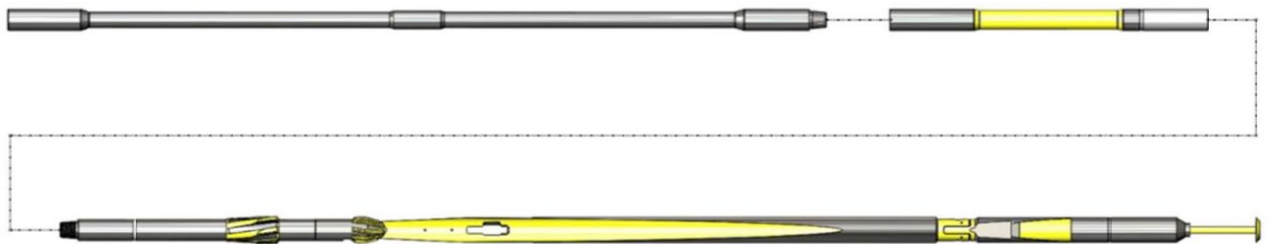


Specification Sheet

7" Cased Hole Mechanical System



The **XpressMill™** cased hole mechanical whipstock delivers a high quality full gauge window in a single trip. A reliable and cost saving- bottom trip anchor can be set on top of float equipment, a bridge plug, cement retainer or a fish left in the hole. A 2.5-degree whipstock face ensures separation from the existing wellbore with minimal dogleg severity. The **XpressMill™** milling assembly, dressed to full gauge with a combination of Premium PDC inserts and Tungsten Carbide, is designed to mill all casing grades and formations. Orientation can be achieved through MWD or Surface Read Gyro tools.



Spec

7" Cased Hole Whipstock with Mechanical Anchor Specifications

Whipstock Slide

Length	132"
Face Length	104"
OD	5.6"

Mechanical Anchor - Bottom Trip

Anchor size	7"
Max Tool OD, in (retracted)	5.50"
Length, ft	69.5"

Running Tool

Length	70.00"
Face Length	4.75"
Connection up/down	3-1/2 API IF BOX

XpressMill™ Milling Assembly

Length	72"
OD	6-1/8"
Fishing Neck OD	4.75"
Connection up/down	3-1/2 API IF PIN